

WIRING CODE

- White – Ground
- Yellow – LH Flashing & Turn Signal
- Green – RH Flashing & Turn Signal
- Brown – Tail Lamp

FIGURE 1
“WIDE BODY” REAR UNLOAD POWER BOX
LIGHTING ASSEMBLY (Wagon and Chassis Mount)

| ITEM | PART NO. | DESCRIPTION |
|------|----------|---|
| 1. | S308 | Rubber Light Mount |
| 2. | S309 | Amber Light |
| 3. | S310 | Red Light |
| 4. | PB187 | Light Harness |
| 5. | PB109 | 18' Longitudinal Cord |
| | PB110 | 20' Longitudinal Cord |
| | PB158 | 22' Longitudinal Cord |
| 6. | PB111 | Taillight Brackets |
| 7. | S317 | Optional Tractor Cord |
| * | PB112 | 18' Complete Light Assembly Less Optional Tractor Cord |
| * | PB188 | 20' Complete Light Assembly Less Optional Tractor Cord |
| * | PB189 | 22' Complete Light Assembly Less Optional Tractor Cord |

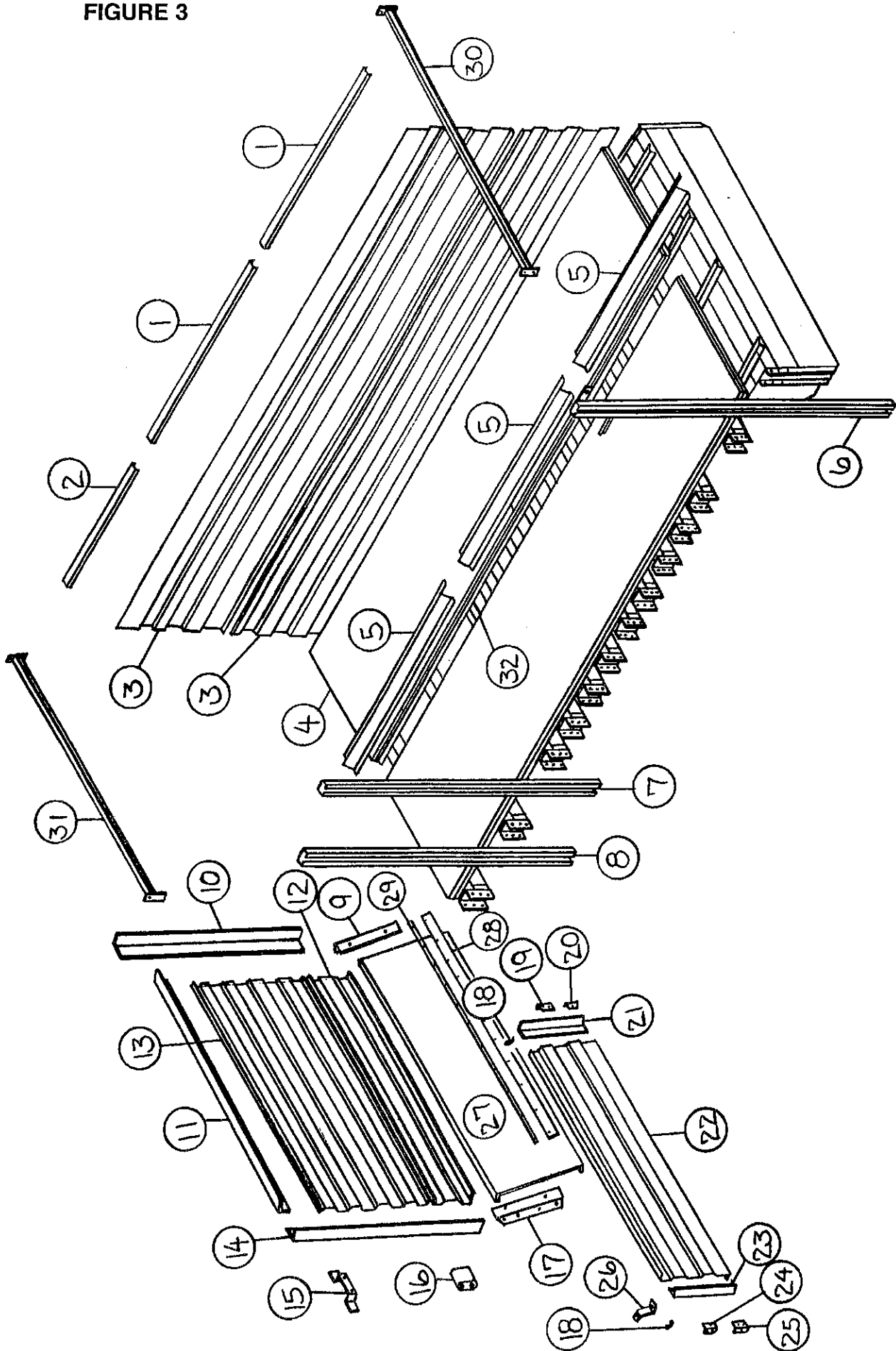
NOTE: * (Means Not Shown)

FIGURE 2
REAR DOOR - APRON - DRIVE AND IDLER ASSEMBLY

| ITEM | PART NO. | DESCRIPTION | ITEM | PART NO. | DESCRIPTION |
|------|----------|---------------------------------|------|----------|---|
| 1. | PB160 | Back Door Frame Work | 23. | PB87 | Key 3/8" Square x 2" |
| 2. | PB161 | Back Door Bottom Steel | 24. | PB183 | Center Bearing Bracket |
| 3. | PB161 | Back Door Top Steel | 25. | 16SV150 | Hydraulic Motor |
| 4. | PB129 | Hinge Pin | 26. | L10R35 | Chain Tightener Bracket (2) |
| 5. | PB130 | Collar | 27. | 23N238 | Roller Chain Tightener (2) |
| 6. | 3G22 | Expansion Pin 5/16" x 1-3/4" | 28. | 10R32 | Snap Ring (2) |
| 7. | PB163 | RH Drive Shaft Mount | 29. | PB168 | Center Drive Shield |
| 8. | PB164 | LH Drive Shaft Mount | 30. | PB169 | Idler Sprocket 11T-70T |
| 9. | S50 | Drive Shaft Bushing | 31. | PB170 | Motor Sprocket 13T |
| 10. | PB74 | Drive Shaft Panel | 32. | PB171 | Drive Sprocket |
| 11. | PB58 | Latch Bracket LH | 33. | PB172 | #60 Chain 90 Pitch |
| 12. | PB57 | Latch Bracket RH | 34. | ST10 | #80 Chain 56 Pitch |
| 13. | PB177 | 667XH Pintle Slat W/Att. Link | 35. | PB154 | Rubber Seal |
| * | S54 | T-Rod Slat W/Att. Link | 36. | PB155 | Seal Strap |
| 14. | PB165 | 667XH Complete Pintle Apron 22' | 37. | 23N67 | Hose Bracket |
| * | PB178 | 667XH Complete Pintle Apron 20' | 38. | PB173 | Hydraulic Pipe 3/4" |
| * | PB179 | T-Rod Complete Apron 20' | 39. | S60 | Idler Sprocket |
| * | PB180 | 667XH Complete Pintle Apron 18' | 40. | S61 | Idler Shaft Spacer |
| * | S59 | T-Rod Complete Apron 18' | 41. | S65 | LH Idler Bracket |
| 15. | PB181 | 667XH Pintle Connector Link | 42. | S64 | Center Idler Bracket |
| * | PB182 | 667XH Pintle Att. Link LH or RH | 43. | S62 | RH Idler Bracket |
| * | S56 | T-Rod Link | 44. | A7 | Idler Bolt |
| 16. | PB176 | Idler Shaft Spacer | 45. | PB184 | Bushing 1-1/4"ID x 1-1/2"OD x 2-1/4" |
| 17. | A34 | Latch Washer | 46. | S63 | Idler Shaft |
| 18. | PB61 | Latch Pivot | 47. | PB174 | Pipe Coupler 1/2" to 3/4" |
| 19. | PB166 | Idler Shaft | 48. | 16SV144 | Hydraulic Hose 1/2" x 41" |
| 20. | PB167 | Drive Shaft | 49. | PB175 | Latch Sprocket |
| 21. | S37 | Apron Drive Shaft Sprocket | 50. | PB185 | Check Valve - 3/4" (Chassis & Running Gear Models Only) |
| 22. | PB133 | Key 3/8" Square x 4-3/8" | | | |

NOTE: * (Means Not Shown)

FIGURE 3



**FIGURE 3
BOX ASSEMBLY**

| ITEM | PART NO. | DESCRIPTION |
|-------------|-----------------|-----------------------------|
| 1. | PB142 | Top Side Channel 8' |
| 2. | PB143 | Top Side Channel 6' |
| 3. | PB144 | Side Steel 181-1/2" (4)-22' |
| * | PB144A | Side Steel 183" (4)-22' |
| * | S299PB | Side Steel 238-1/2" (4)-20' |
| * | S150PB | Side Steel 214-1/2" (4)-18' |
| 4. | PB145 | Poly Bonded Floor 22' |
| * | PB145A | Poly Bonded Floor 20' |
| * | PB145B | Poly Bonded Floor 18' |
| 5. | PB146 | Center Floor Ridge |
| 6. | PB147 | LH Back Stake |
| * | PB148 | RH Back Stake |
| 7. | ST49 | Side Stake |
| 8. | ST50 | LH Front Stake |
| * | ST51 | RH Front Stake |
| 9. | S186 | Inside Shelf Angle RH |
| 10. | S190 | Front Side Piece RH |
| 11. | PB149 | Top Door Angle |
| 12. | PB150 | Front Door Bottom Steel |
| 13. | PB151 | Front Door Top Steel |
| 14. | S189 | Front Side Piece LH |
| 15. | PB29 | Hose Holder • |
| 16. | JB105 | Hose Coupling Holder • |
| 17. | S185 | Inside Shelf Angle LH |
| 18. | S192 | Handle Nut |
| 19. | S193 | RH Hinge Top Piece • |
| 20. | S194 | RH Hinge Bottom Piece • |
| 21. | S195 | RH Side Piece |
| 22. | PB152 | Tailgate Section Steel |
| 23. | S196 | LH Side Piece |
| 24. | S199 | LH Hinge Top Piece • |
| 25. | S198 | LH Hinge Bottom Piece • |
| 26. | S191 | Brace |
| 27. | PB153 | Slant Panel |
| 28. | PB154 | Rubber Seal |
| 29. | PB155 | Seal Strap |
| 30. | PB156 | Rear Stringer Spacer |
| 31. | PB157 | Front Stringer Spacer |
| 32. | PB159 | Steel Floor Support |

NOTE: * (Means Not Shown)

• (Indicates Use on Chassis or Running Gear Models Only)

FIGURE 4

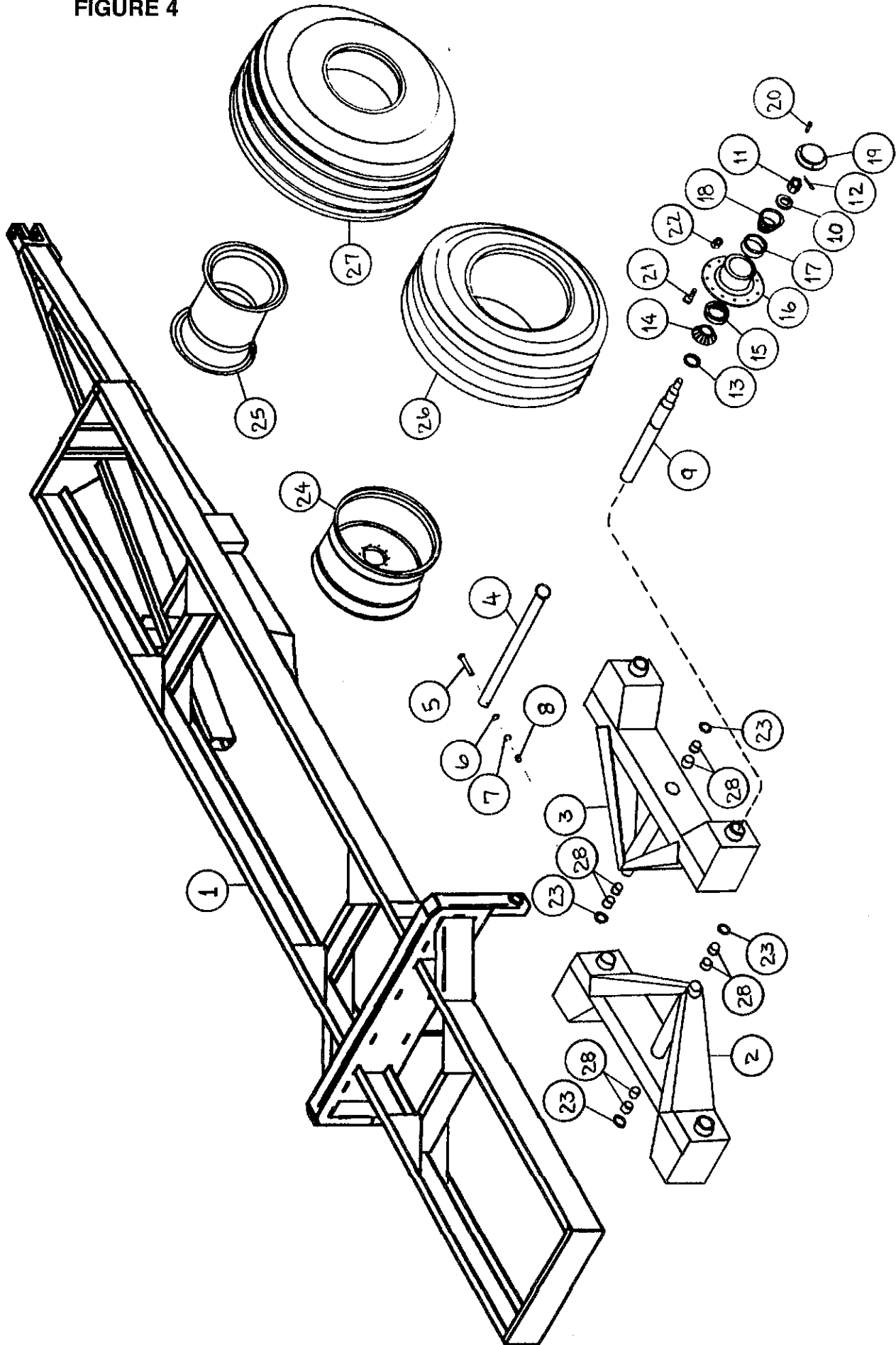


FIGURE 4
CHASSIS MOUNT FRAME

| ITEM | PART NO. | DESCRIPTION |
|-------------|-----------------|--------------------------------|
| 1. | FBC1 | Main Frame |
| 2. | 50N151 | LH Tandem Beam |
| 3. | 50N152 | RH Tandem Beam |
| 4. | 50N153 | Tandem Pin |
| 5. | RG174 | Bolt 5/8" x 5" GR.5 |
| 6. | RG8 | 5/8" Flat Washer |
| 7. | T69 | 5/8" Lock Washer |
| 8. | T68 | 5/8" Nut |
| 9. | 60N1 | Spindle |
| 10. | 60N2 | Spindle Washer |
| 11. | 60N3 | Spindle Nut |
| 12. | 60N4 | Cotter Pin |
| 13. | 60N5 | Seal |
| 14. | 60N7 | Inner Bearing |
| 15. | 60N6 | Inner Race |
| 16. | 60N8 | Hub |
| 17. | 60N10 | Outer Race |
| 18. | 60N9 | Outer Bearing |
| 19. | 60N11 | Hub Cap |
| 20. | 60N12 | Hub Cap Bolt |
| 21. | 60N13 | Stud |
| 22. | 60N14 | Stud Nut |
| 23. | RG59 | Spacer |
| 24. | 60N15 | Wheel (22.5 x 13.5, 10 Bolt) |
| 25. | 60N16 | Wheel (16.1 x 18, 10 Bolt) |
| 26. | 16SV88 | Tire (425 x 22.5, Truck) |
| 27. | 50N7 | Tire (21.51 x 16.1, Flotation) |
| 28. | 50N8 | Tandem Pin Bushing |

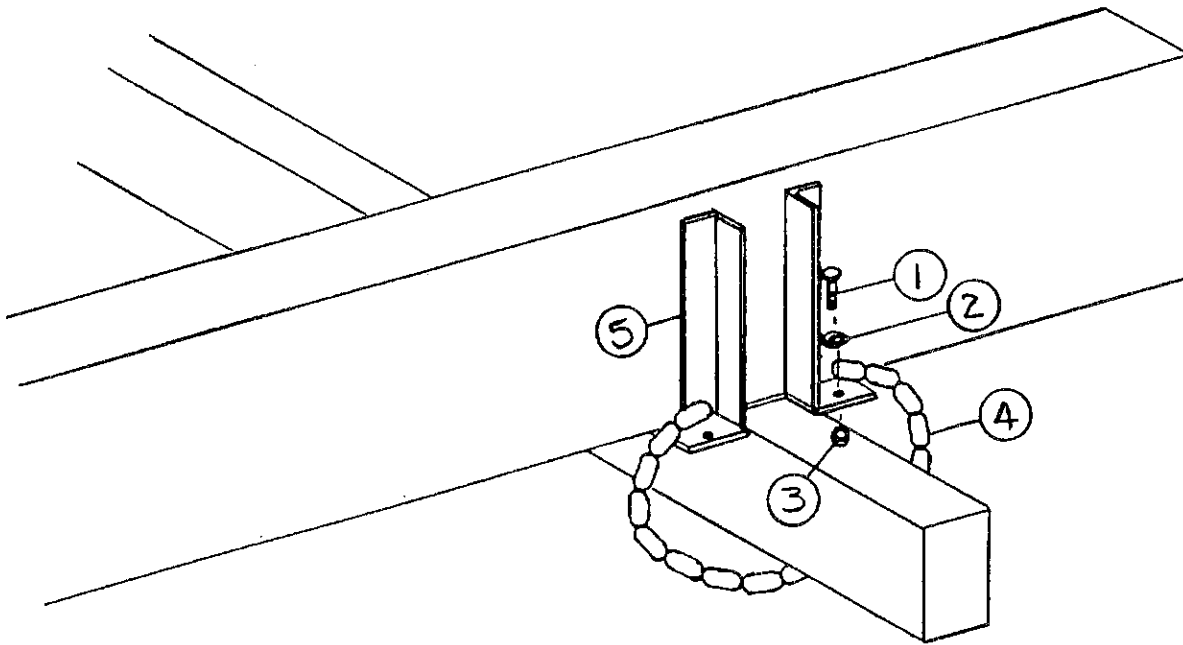


FIGURE 5
TIE DOWN KIT - RUNNING GEAR MOUNT

| ITEM | PART NO. | DESCRIPTION |
|-------------|-----------------|-------------------------|
| 1. | 12V45 | 1/2" x 1-1/2" GR.5 Bolt |
| 2. | K68 | 1/2" Flat Washer |
| 3. | R11 | 1/2" Top Lock Nut GR.5 |
| 4. | S322 | 1/4" Chain 30-1/4" Long |
| 5. | S323 | Tie Down Bracket |
| 6. | T9B | Tie Down Kit - Complete |